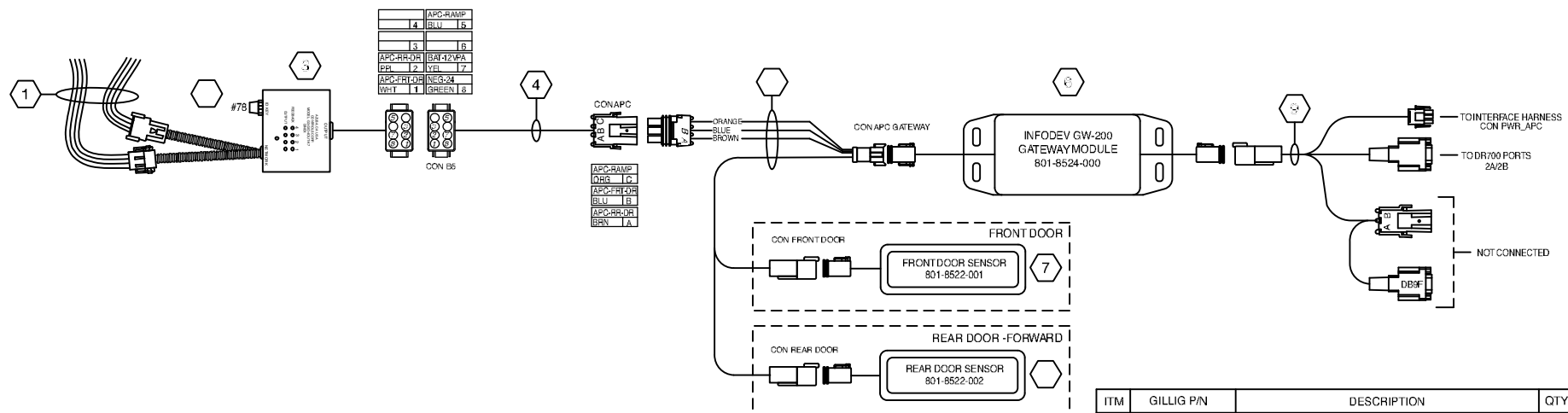


NOTES:

1. ALL COMPONENTS ARE LOCATED IN ELECTRICAL EQUIPMENT BOX, UNLESS OTHERWISE NOTED.



ITM	GILLIG P/N	DESCRIPTION	QTY
1	50-50621-002	HARNESS, COMM. JUMPER, LF W/ G3 SYSTEM	1
2	13-41361-040	KEY, ID#78	1
3	13-41361-046	MODULE, D-5, 4-OUTPUT	1
4	50-72339-004	HARNESS, INTERFACE	1
5	51-33290-185	CABLE, APC, INFODEV, VEHICLE	1
6	51-33290-095	MODULE, APC, INFODEV, GATEWAY	1
7	51-33290-091	SENSOR, APC, INFODEV, FRONT DOOR	1
8	51-33290-205	SENSOR, APC, INFODEV, REAR DOOR	1
9	51-33290-183	CABLE, APC, UTA, J1708 PWR / COMM	1