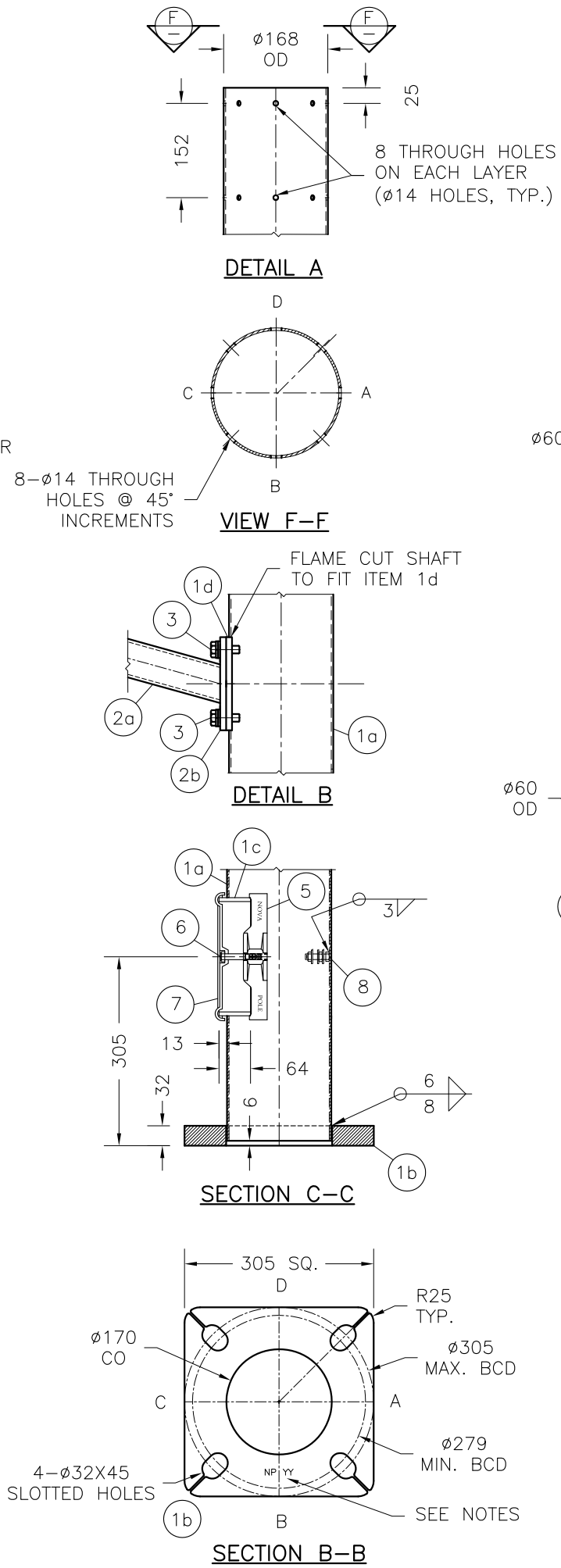
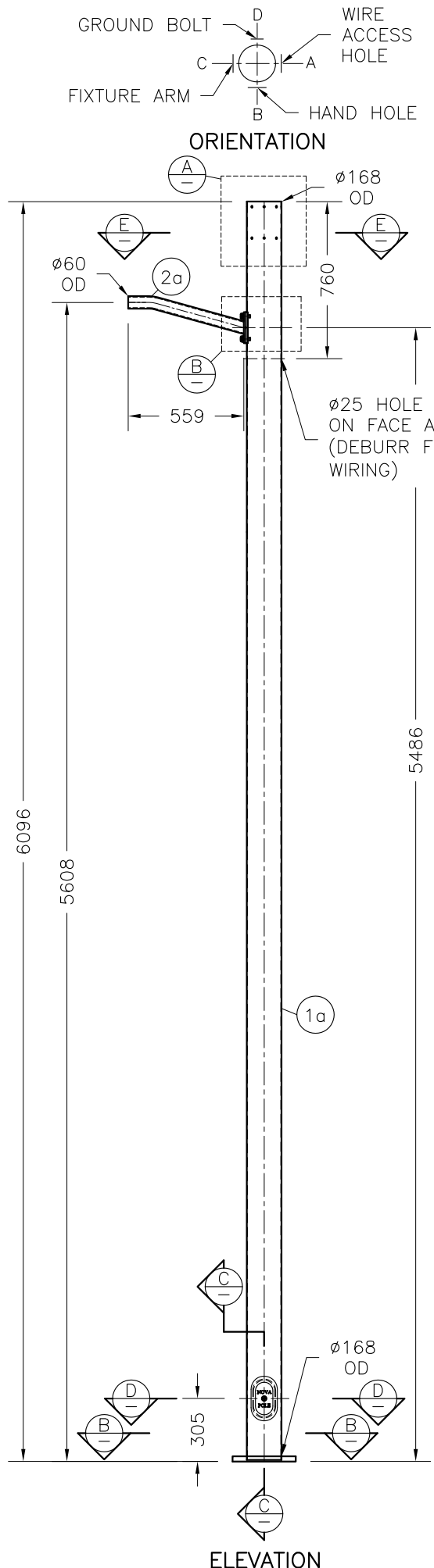


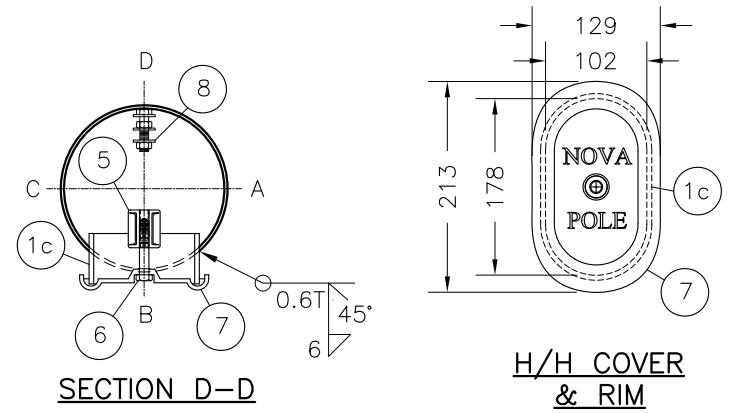
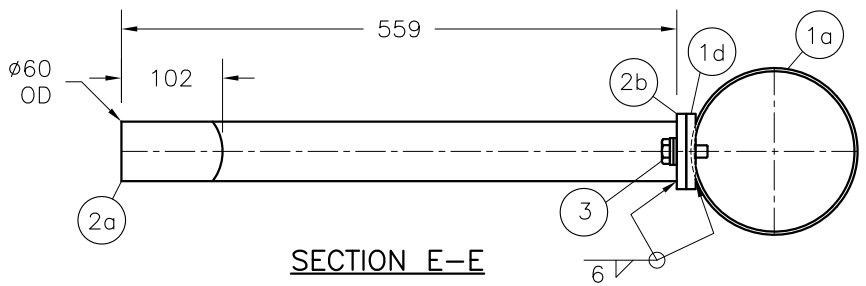
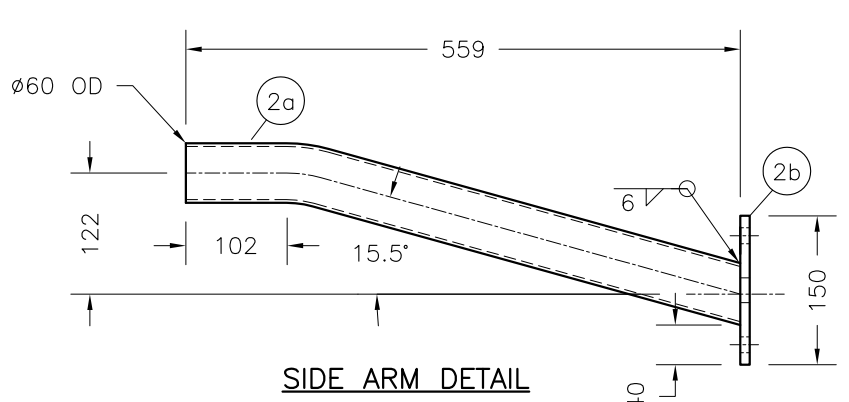
**TOPEKA METRO**

**REQUEST FOR BIDS  
Concrete Pad for Bus Stop  
Walmart West  
TO-19-18**

**Appendix IV  
Pole Parts List and  
Footings Instructions**



ITEM	QTY	MATERIAL	DESCRIPTION	WEIGHT	
				UNIT	TOTAL
1a	1	ASTM A500 GR.C	ROUND HSS Ø168 O.D. x 6.4 WALL x 6096 LG	156.1	156.1
1b	1	CSA G40.21 300W	PL 32 x 305 SQ. (BASE PLATE)	16.2	16.2
1c	1	CSA G40.21 300W	FB 9.5 X 64 X 475 LG. (SMALL H/H RIM)	2.3	2.3
1d	1	CSA G40.21 300W	PL 9.5 X 76 X 150 LG (FLANGE)	0.8	0.8
2a	1	ASTM A500 GR.C	ROUND HSS Ø60 O.D. x 3.2 WALL x 600 LG	2.7	2.7
2b	1	CSA G40.21 300W	PL 9.5 X 76 X 150 LG (ARM FLANGE)	0.8	0.8
3	2	ASTM A325	HEX BOLT Ø1/2" X 1 1/2" LG. w/ 1 FLAT WASHER & 1 LOCK WASHER	0.1	0.2
4	4	PLASTIC	HVY. HEX NUT COVER FOR 1"Ø ANCHOR BOLTS - GREEN COLOUR	0.0	0.0
5	1	ASTM A27	CAST STEEL 203 X 29 (RETAINING BAR)	0.4	0.4
6	1	STAINLESS STEEL	HEX BOLT Ø3/8" X 3 1/2" LG. (FULL THREAD)	0.3	0.3
7	1	ASTM A27	CAST STEEL 213 X 129 (SMALL H/H COVER w/1-Ø11 HOLE)	0.5	0.5
8	1	STAINLESS STEEL	HEX BOLT Ø3/8" X 1 1/2" LG. w/ 2 NUTS, 2 FLAT WASHER & 1 SERRATED WASHER	0.1	0.1
WEIGHT TOTAL (kg)					180.4



**NOTES:**  
 - ALL UNITS ARE IN METRIC UNLESS OTHERWISE STATED  
 - STAMP BASE PLATE WITH 'NP YY' (YY=YEAR)  
 - ANCHOR BOLTS Ø1" x 36" LG ANCHOR BOLTS PER MMCD SPECIFICATIONS (ANCHOR BOLTS BY OTHERS)

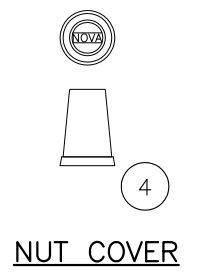
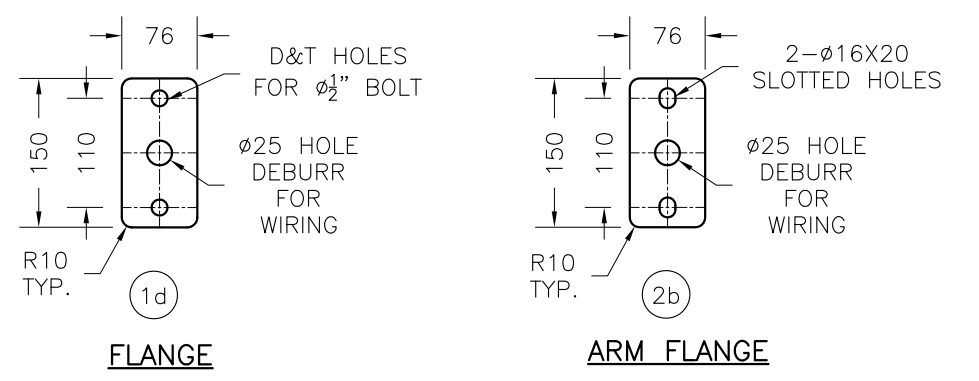
**MATERIAL:** STEEL SILICON CONTENT  
 SHAFTS: (0-0.04%) PARTS: (0-0.04% OR 0.15-0.22%)

**WELDING:** CSA W59, W47.1

**FINISH:** POWDER COATED (RAL 6020 CHROME GREEN)

**DESIGN:**  
 POLE, SUPPORTING ONE SOLAR PANEL (1.77 sq.m EPA & 37 kg), ONE ENCLOSURE CABINET (0.45 sq.m EPA & 93 kg), ONE FIXTURE & DAVIT ARM (0.35 sq.m EPA & 25 kg TOTAL), IS DESIGNED FOR q=560 Pa (1/25 YEAR) WITH 2.5 GUST FACTOR IN ACCORDANCE WITH CSA S6-14.

**BASE REACTIONS (FACTORED, NO ICE)**  
 Fz (AXIAL) : 3.6 kN      Mz (TORSION) : 1.61 kN\*m  
 Fx : 1.5 kN              Mx (OVERTURNING) : 39.3 kN\*m  
 Fy : 7.5 kN              My : 8.3 kN\*m



	ISSUED FOR APPROVAL	OCT 29/18
	REV	DATE
DRAWN	JY	DATE
CHECKED	BJ	OCT 24/18
CONTRACTOR		

<b>NOVA POLE</b>			
URBAN SOLAR TOWN HALL - VICTORIA CUSTOM NSR Ø6 <sup>5</sup> / <sub>8</sub> " x 20' SOLAR POLE			
SIZE	SPEC NO.	DWG NO.	REV
B	DWG NO. #13247	18-SL-020-00321	A
SCALE NTS	S.O.	30828	SHEET 1 OF 1

WWF-6x6-W21

xW21

6'-0"

1'-6"  
DIA

